

Bintec Solution – VLAN (3):

Load sharing over virtual interfaces

Bintec routers support the virtual interfaces concept as standard. A number of virtual interfaces can be defined independently of the physical hardware of the device. Each virtual interface is assigned a unique VLAN ID on configuration. Using a VLAN-capable switch in combination with the load balancing function of Bintec routers, it is now possible, for example, to implement load sharing over several DSL links, even if only one WAN link is available for this on the router itself. The basic setup for this scenario is shown in Figure 1.

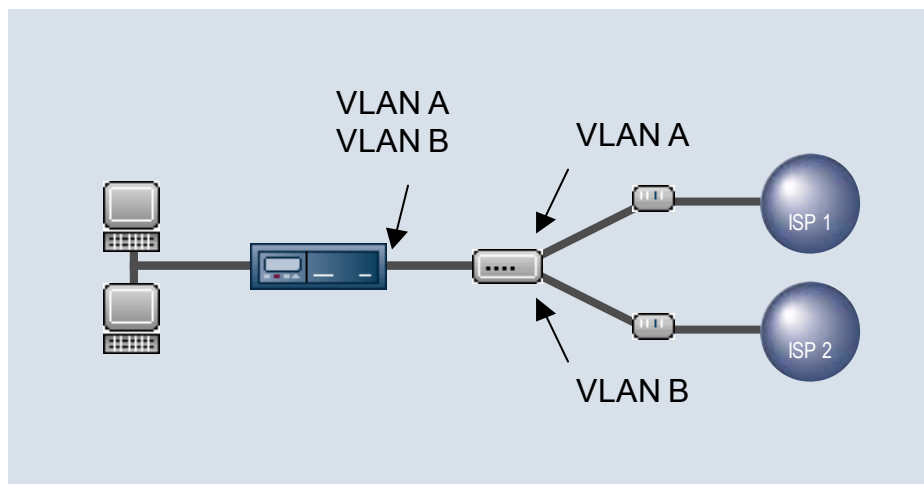


Figure 1: Load sharing over two DSL links

The virtual interfaces for VLAN A and VLAN B are physically assigned to the port of the router to which the VLAN switch is connected. This in turn is connected to that of the DSL modems. The outgoing packets from the local network are provided with VLAN information by the router according to the load sharing requirement and transferred via the switch to the relevant DSL modem.